

1

2

3

4

A

A

B

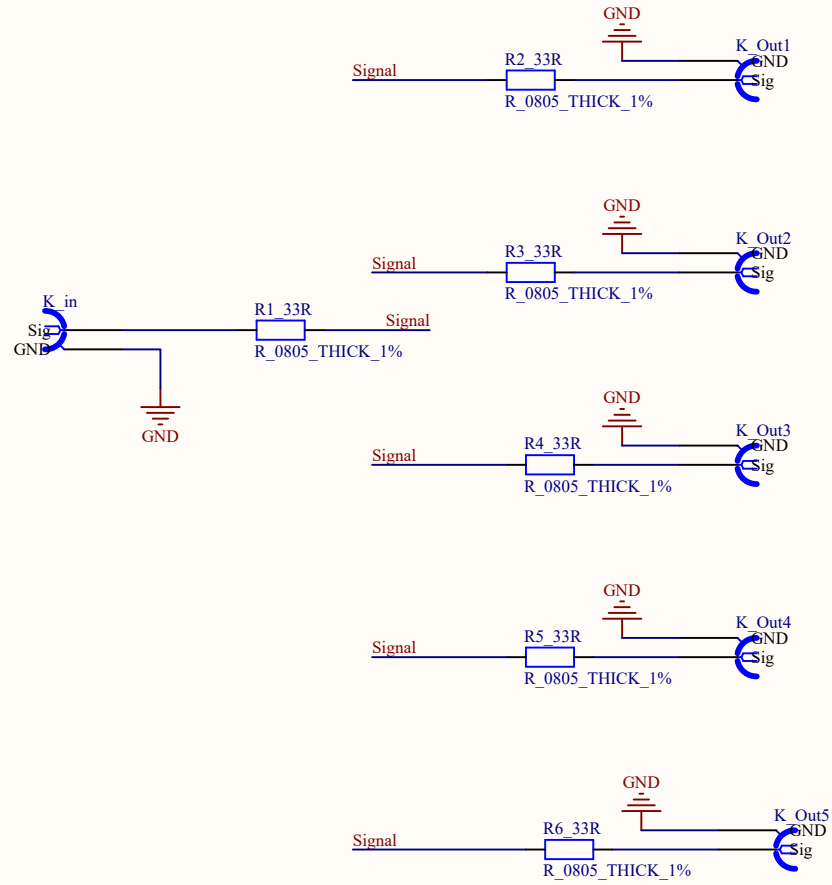
B

C

C

D

D



Title		
Size A4	Number	Revision
Date:	11-13-2023	Sheet of
File:	M:\ud\...22-020Power Splitter for Multichannel Divider.SchDoc	

1

2

3

4